

## THERMOSTATIC STEAM TRAPS AND AIR VENTS TH36

### DESCRIPTION

The ADCA TH36 series thermostatic steam traps and air vents are specifically designed for use on process equipment such as kettle cookers, sterilizers, food, chemical and laundry equipment where high discharge capacities are involved.

### MAIN FEATURES

Modulating discharge.  
Discharges condensate close to steam saturation temperature.  
Excellent air discharge.  
Operates with moderate superheated steam.

OPTIONS: Stainless steel construction.

USE: Saturated steam.

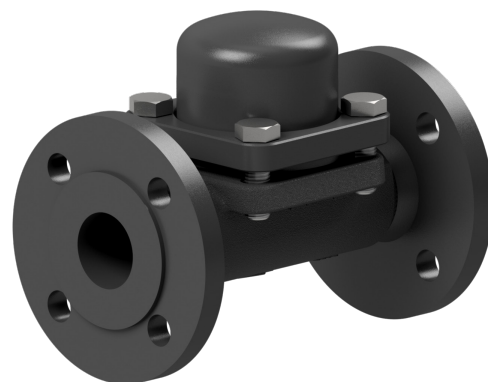
### AVAILABLE

MODELS: TH36/4 – carbon steel, 4 capsules.  
TH36/6 – carbon steel, 6 capsules.

SIZES: 1 1/2" and 2"; DN 40 and DN 50.

CONNECTIONS: Female threaded ISO 7 Rp or NPT.  
Flanged EN 1092-1 PN 40.  
Flanged ASME B16.5 Class 150 or 300.  
Socket weld (SW) ASME B16.11.  
Butt weld (BW) ASME B16.25.

INSTALLATION: Horizontal installation is recommended, but can be installed in any position.  
See IMI – Installation and maintenance instructions.



#### CE MARKING – GROUP 2 (PED – EUROPEAN DIRECTIVE)

CLASS 150	PN 40	CATEGORY
1 1/2" and 2"	–	SEP
–	1 1/2" and 2" DN 40 and 50	1 (CE marked)

#### BODY LIMITING CONDITIONS

FLANGED PN 40 / CLASS 300 *	FLANGED CLASS 150 **	RELATED TEMPERATURE
ALLOWABLE PRESSURE	ALLOWABLE PRESSURE	
40 bar	19,3 bar	50 °C
35 bar	15,8 bar	150 °C
30,4 bar	12,1 bar	250 °C
27,6 bar	10,2 bar	300 °C

PMO – Maximum operating pressure: 22 bar.

TMO – Maximum operating temperature: 250 °C.

\* According to EN 1092-1:2018.

\*\* According to EN 1759-1:2004.

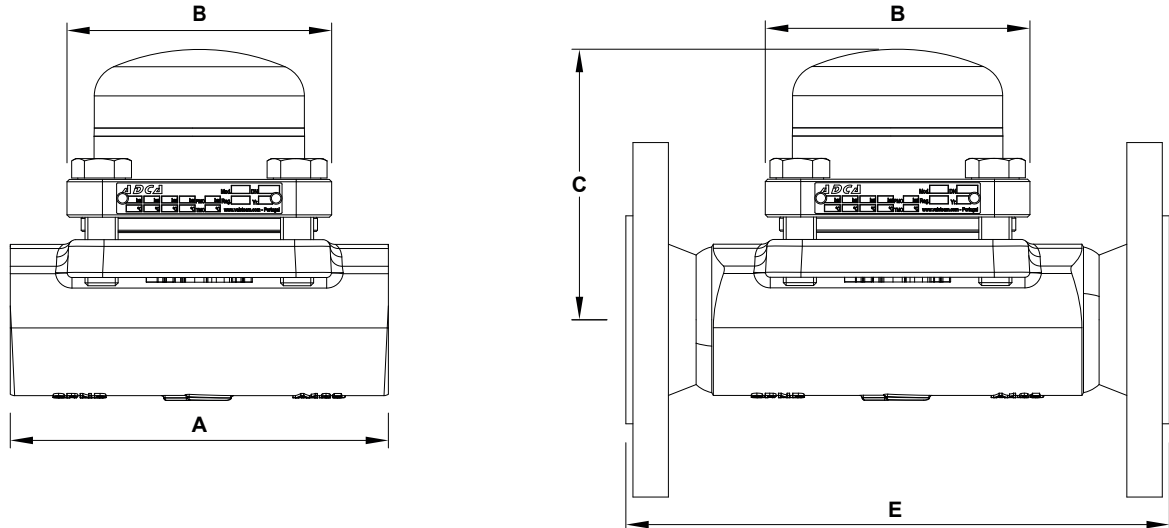
Body limiting conditions PN 40 or below, depending on the type of connection adopted. Rating PN 40 for threaded, SW and BW versions.

#### FLOW RATE CAPACITY (kg/h)

MODEL	SIZE	DIFFERENTIAL PRESSURE (bar)														
		0,2	0,3	0,5	1	1,5	2	3	4	6	8	10	13	15	20	22
TH36/4	1 1/2" and 2" DN 40 and 50	280	480	560	1020	1320	1540	1820	2040	2400	2680	2800	2880	3000	3100	3180
TH36/6	1 1/2" and 2" DN 40 and 50	420	720	840	1530	1980	2310	2730	3060	3600	4020	4200	4320	4500	4650	4770

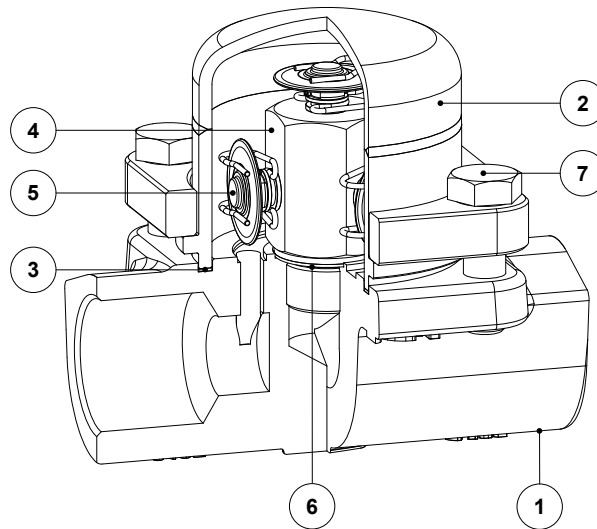
Capacities shown refer to condensate discharge 5 °C below steam saturation temperature.

Capacities for cold condensate discharge at 20 °C are two to three times greater.



DIMENSIONS (mm)										
SIZE	THREADED / SW / BW				PN 40		CLASS 150		CLASS 300	
	A	B	C	WEIGHT (kg)	E *	WEIGHT (kg)	E *	WEIGHT (kg)	E *	WEIGHT (kg)
1 1/2" – DN 40	160	112	114	4,6	230	9,3	230	8,2	230	11,2
2" – DN 50	230	112	123	5,8	230	10,2	230	10	230	11,6

\* Other face to face dimensions on request.



MATERIALS		
POS. No.	DESIGNATION	MATERIAL
1	Body	A105 / 1.0432 (Equiv. P250GH)
2	Cover	P265GH / 1.0425; S355JR / 1.0045
3	* Gasket	Stainless steel / Graphite
4	* Valve seat	AISI 304 / 1.4301
5	* Thermostat	Stainless steel
6	* Seat gasket	Copper
7	Bolt	Steel 8.8

\* Available spare parts.